



IKONIX

ESTOP INSTRUCTION SHEET

Emergency Stop Switch

IMPORTANT NOTE:

Read and understand the instructions before installing, operating, or maintaining this equipment. This product is designed to be a component of a customized control system. It is the responsibility of each customer to ensure the correct overall functionality of its systems and machines. Ikonix, its subsidiaries and affiliates are not in a position to guarantee all of the characteristics of a given system or product not designed by Ikonix.

Operation

Emergency Stop Switches are mounted and used in line with the input power controlling an Ikonix safety instrument. Its intended function is to avert harm or to reduce existing hazards to persons, machinery, or work in progress. The E-Stop should be triggered when an immediate hazardous situation occurs that needs to be ended or averted quickly in order to prevent injury or damage. To trigger E-Stop press down on mushroom cap, this will immediately cut power to the connected instrument. To release the E-Stop rotate the cap clockwise. This will immediately close the connection and provide power to the connected instrument.



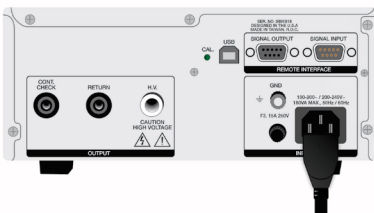
Warning: Device under test may still be charged after E-Stop has been enabled. Take appropriate measure's to discharge any devices which may hold capacitive charge.

Installation guide

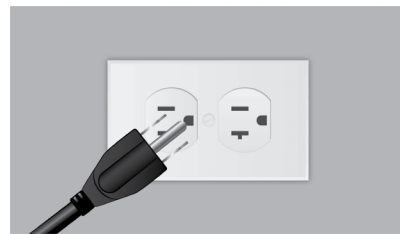
Step 1 - When choosing a mounting position, consider your input power source (i.e. nearest wall outlet) and electrical instrument location.

Use pre-drilled holes to mount the E-Stop enclosure to desired location. See page 3 for enclosure spacing and measurements.

Step 2 - Connect female end of E-Stop to the instrument you wish to control.



Step 3 - Connect male end of E-Stop to input power.

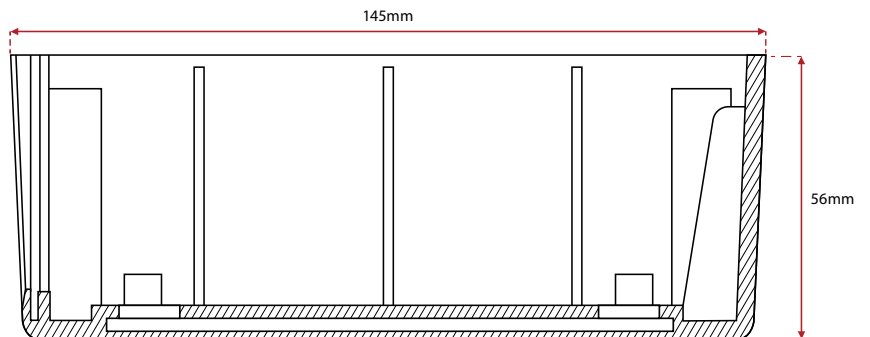
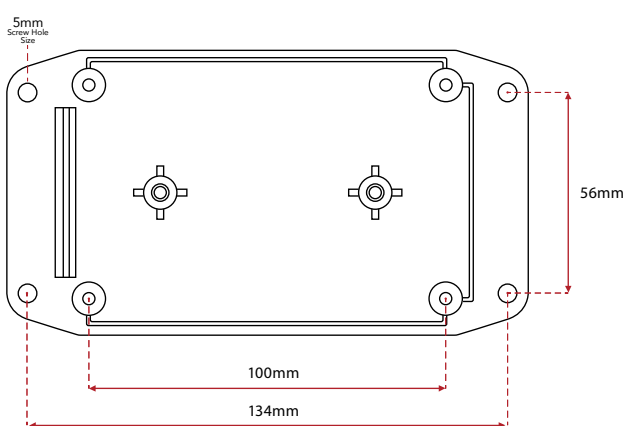


Maintenance

Routinely verify functionality of switches and control circuits. Check for damage to push-button and enclosure.

Specifications/Drawings

MODEL	E-Stop
Push Button Switch Product Specs	
Rated Insulation Voltage	Max 600V
Rated Thermal Current	Max 10A
Dielectric Strength	2500VAC (1min)
Insulation Resistance	
Insulation Resistance	100MΩ
General	
Environment	32° F - 104° F (0° - 40° C)
Dimension	145mm(L) × 80mm(W) x 60mm(H)
Weight	1Kg
STANDARDS	
Enclosure	IP65 rated
Contact Switch	EN 60947-5-5/A1:2005 EN 60947-5-1/A1:2009 ANSI/UL 508





IKONIX